

FIBER OPTIC COMPONENTS

**Features** **SC CONNECTOR**

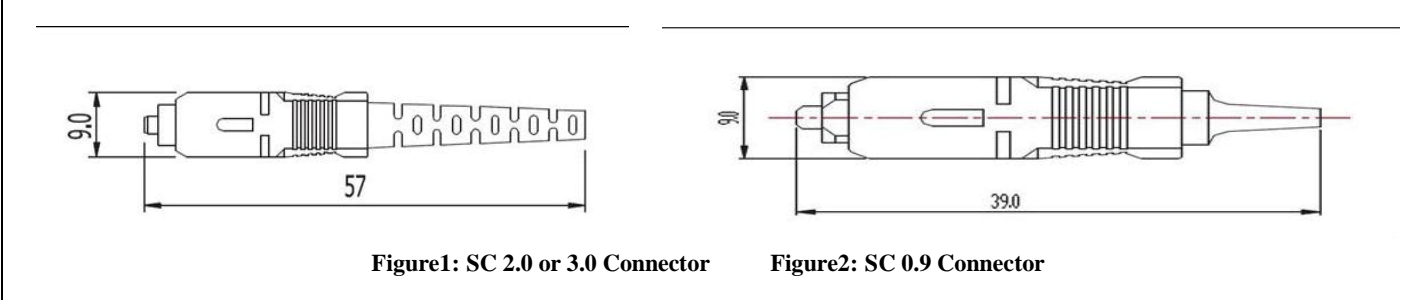
- \* Single mode and Multimode
- \* Zirconia sleeves or Phosphor bronze sleeves
- \* NTT standard compatible
- \* Available without flanges or with flange for duplex, saving panel space
- \* SC2 8Port high density for patch panel mount applications
- \* Meet JIS5974 and bellcore GR-326 standard
- \* Compliant with IEC874-14 & IEC874-19
- \* All parts compliant with ROH



**Application**

- Telecommunication
- CATV
- LAN & WAN
- Network
- Broadband
- FTTH

**Appearance & Dimension**



**Parameter**

Item	Parameter	
		Multi-Mode
Insertion Loss	≤0.3dB	
Durability (1000 Mating)	0.2dB Max.	
Operating Temperature	-40°C~+75°C	
Storage Temperature	-40°C~+85°C	

**Remark:** Ferrule Concentricity SM< 1um; MM< 1.4um  
 Ferrule inner diameter tolerance +1/-0um  
 Ferrule outer diameter tolerance +/-0.5 um

**Ordering Information**

CODE	FERRULE	TYPE	HOUSING	BO
	1 Single mode	1 Simplex	1 0.9	1 Blue
	2 Multimode	2 Duplex	2 2.0	2 Beige
	3 Angle PC		3 3.0	3 Green
				4 Black
				5 Blue and Yellow
				6 Red and Black