

Product Specification Sheet

OLSB35(53)01S-CD40

RoHS Compliant 155M 1310/1550nm(1550/1310nm) 40km Transceiver



PRODUCT FEATURES

- Up to 155Mbps data-rate
- 1550nm DFB laser and PIN photo detector for 40km transmission
- 1310nm FP laser and PIN photo detector for 40km transmission
- BIDI SC/UPC type pluggable optical interface
- Compliant with SFP MSA and SFF-8472 with simplex SC receptacle
- RoHS compliant and lead-free
- Single +3.3V power supply
- Support Digital Diagnostic Monitoring interface
- Case operating temperature
 - Commercial: 0°C to +70°C
 - Extended: -10°C to +80°C
 - Industrial: -40°C to +85°C

APPLICATIONS

- SDH STM-1, S-1.1,L-1.1, L-1.2
- SONET OC-3 IR1,LR1,LR2
- Other Optical Links

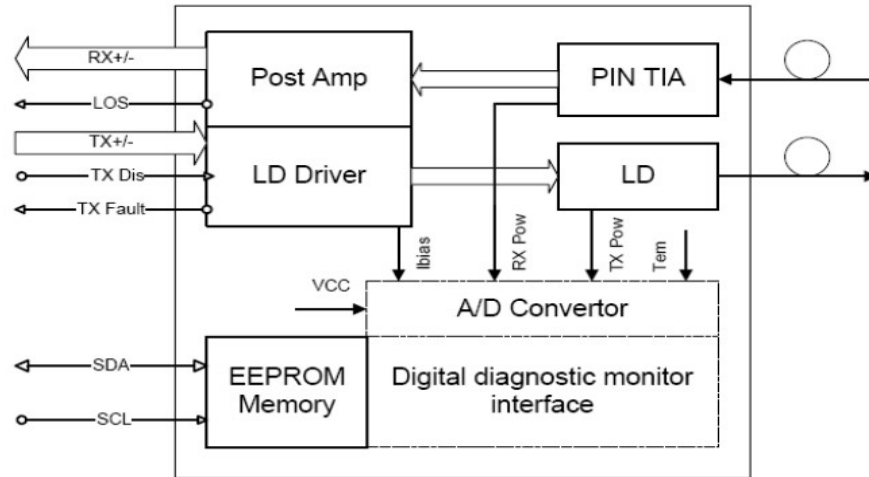
PRODUCT DESCRIPTIONS

The SFP BIDI transceivers are high performance, cost effective modules supporting 155Mbps data-rate and 40km transmission distance with SMF.

The transceiver consists of three sections: a DFB laser transmitter, a PIN photodiode integrated with a trans-impedance preamplifier (TIA) and MCU control unit. All modules satisfy class I laser safety requirements.

The transceivers are compatible with SFP Multi-Source Agreement (MSA) and SFF-8472. For further information, please refer to SFP MSA.

FUNCTIONAL DIAGRAM



Ordering information

| Product part Number | Data Rate (Mbps) | Media | Wavelength (nm) | Transmission Distance(km) | Temperature Range | |
|----------------------|------------------|-------------------|----------------------|---------------------------|-------------------|------------|
| | | | | | Tcase | °C |
| OLSB35 (53) 01S-CD40 | 155 | Single mode fiber | 1310/1550(1550/1310) | 40 | 0~70 | commercial |
| OLSB35 (53) 01S-ED40 | 155 | Single mode fiber | 1310/1550(1550/1310) | 40 | -10~80 | extended |
| OLSB35 (53) 01S-ID40 | 155 | Single mode fiber | 1310/1550(1550/1310) | 40 | -45~85 | industrial |

ABSOLUTE MAXIMUM RATINGS

| Parameter | Symbol | Min. | Max. | Unit | Note |
|---------------------|--------|------|------|------|------|
| Supply Voltage | Vcc | -0.5 | 4.0 | V | |
| Storage Temperature | | -40 | 85 | °C | |
| Relative Humidity | | 5 | 95 | % | |

Note: Stress in excess of the maximum absolute ratings can cause permanent damage to the module

GENERAL OPERATING CHARACTERISTICS

| Parameter | Symbol | Min. | Typ | Max. | Unit | Note |
|----------------------|------------------|------|-----|------|------|------|
| Data Rate | | | 155 | | Mb/s | |
| Supply Voltage | V _{CC} | 3.13 | 3.3 | 3.47 | V | |
| Supply Current | I _{CC5} | | | 220 | mA | |
| Operating Case Temp. | T _C | 0 | | 70 | °C | |
| | | -10 | | 80 | °C | |
| | | -40 | | 85 | °C | |

ELECTRICAL INPUT/OUTPUT CHARACTERISTICS

● Transmitter

| Parameter | Symbol | Min. | Typ | Max. | Unit | Note |
|---------------------------|-----------------|-----------------|-----|----------------------|------|------|
| Diff. input voltage swing | | 120 | | 820 | mVpp | 1 |
| Tx Disable input | H | V _{IH} | 2.0 | V _{CC} +0.3 | V | |
| | L | V _{IL} | 0 | 0.8 | | |
| Tx Fault output | H | V _{OH} | 2.0 | V _{CC} +0.3 | V | 2 |
| | L | V _{OL} | 0 | 0.8 | | |
| Input Diff. Impedance | Z _{in} | | 100 | | Ω | |

● Receiver

| Parameter | Symbol | Min. | Typ | Max. | Unit | Note |
|----------------------------|--------|-----------------|-----|----------------------|------|------|
| Diff. output voltage swing | | 340 | 650 | 800 | mVpp | 3 |
| Rx LOS Output | H | V _{OH} | 2.0 | V _{CC} +0.3 | V | 2 |
| | L | V _{OL} | 0 | 0.8 | | |

Note 1) TD+/- are internally AC coupled with 100Ω differential termination inside the module.

Note 2) Tx Fault and Rx LOS are open collector outputs, which should be pulled up with 4.7k to 10kΩ resistors on the host board. Pull up voltage between 2.0V and V_{CC}+0.3V.

Note 3) RD+/- outputs are internally AC coupled, and should be terminated with 100Ω (differential) at the user SERDES

OPTICAL CHARACTERISTICS

● **Transmitter**

| Parameter | Symbol | Min. | Typ | Max. | Unit | Note |
|-----------------------------|--------------------------------------------------|------|------|------|------|------|
| Operating Wavelength | λ_C | 1270 | 1310 | 1360 | nm | |
| | | 1500 | 1550 | 1570 | | |
| Ave. output power (Enabled) | Po | -9 | | -3 | dBm | 1 |
| Extinction Ratio | ER | 10 | | | dB | 1 |
| RMS spectral width | $\Delta\lambda$ | | | 4 | nm | |
| Rise/Fall time (20%~80%) | Tr/Tf | | | 0.26 | ps | 2 |
| Output Eye Mask | Telcordia GR-253-CORE and ITU-T G.957 compatible | | | | | |

Note (1): Measure at 2²³-1 NRZ PRBS pattern

Note (2): Transmitter eye mask definition

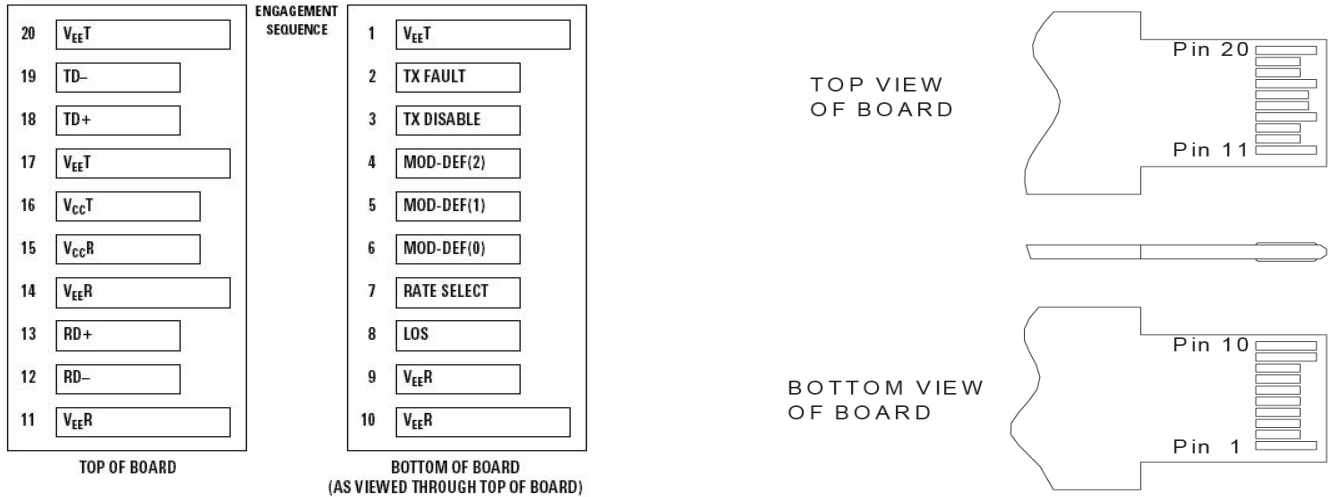
● **Receiver**

| Parameter | Symbol | Min. | Typ | Max. | Unit | Note |
|----------------------|--------|------|------|------|------|------|
| Operating Wavelength | | 1530 | 1550 | 1570 | nm | |
| | | 1270 | 1310 | 1360 | | |
| Sensitivity | Psen | | | -32 | dBm | 1 |
| Min. overload | Pimax | -3 | | | dBm | |
| LOS Assert | Pa | -45 | | | dBm | |
| LOS De-assert | Pd | | | -33 | dBm | 2 |
| LOS Hysteresis | Pd-Pa | 0.5 | | 6 | dB | |

Note (1): Measured with Light source 1550nm(1310nm), ER=10dB; BER =<10⁻¹² @PRBS=2²³-1 NRZ.

Note (2): When LOS de-asserted, the RX data+/- output is signal output.

Pin Definitions and Functions



| PIN# | Name | Function | Notes |
|------|-------------------|--------------------------------------------------------|-------|
| 1 | V _{EE} T | Tx ground | |
| 2 | Tx Fault | Tx fault indication, Open Collector Output, active “H” | 1 |
| 3 | Tx Disable | LVTTL Input, internal pull-up, Tx disabled on “H” | 2 |
| 4 | MOD-DEF2 | 2 wire serial interface data input/output (SDA) | 3 |
| 5 | MOD-DEF1 | 2 wire serial interface clock input (SCL) | 3 |
| 6 | MOD-DEF0 | Model present indication | 3 |
| 7 | Rate select | No connection | |
| 8 | LOS | Rx loss of signal, Open Collector Output, active “H” | 4 |
| 9 | V _{EE} R | Rx ground | |
| 10 | V _{EE} R | Rx ground | |
| 11 | V _{EE} R | Rx ground | |
| 12 | RD- | Inverse received data out | 5 |
| 13 | RD+ | Received data out | 5 |
| 14 | V _{EE} R | Rx ground | |
| 15 | V _{CC} R | Rx power supply | |
| 16 | V _{CC} T | Tx power supply | |
| 17 | V _{EE} T | Tx ground | |
| 18 | TD+ | Transmit data in | 6 |
| 19 | TD- | Inverse transmit data in | 6 |
| 20 | V _{EE} T | Tx ground | |

Note 1) When high, this output indicates a laser fault of some kind. Low indicates normal operation. And should be pulled up with a 4.7 – 10KΩ resistor on the host board.

Note 2) TX disable is an input that is used to shut down the transmitter optical output. It is pulled up within the module with a 4.7 – 10KΩ resistor. Its states are:

Low (0 – 0.8V): Transmitter on ($>0.8, < 2.0V$): Undefined
 High (2.0V~Vcc+0.3V): Transmitter Disabled Open: Transmitter Disabled

Note 3) Mod-Def 0,1,2. These are the module definition pins. They should be pulled up with a 4.7K – 10KΩ resistor on the host board. The pull-up voltage shall be VccT or VccR.

Mod-Def 0 has been grounded by the module to indicate that the module is present
 Mod-Def 1 is the clock line of two wire serial interface for serial ID
 Mod-Def 2 is the data line of two wire serial interface for serial ID

Note 4) When high, this output indicates loss of signal (LOS). Low indicates normal operation.

Note 5) RD+/-: These are the differential receiver outputs. They are AC coupled 100Ω differential lines which should be terminated with 100Ω (differential) at the user SERDES. The AC coupling is done inside the module and is thus not required on the host board.

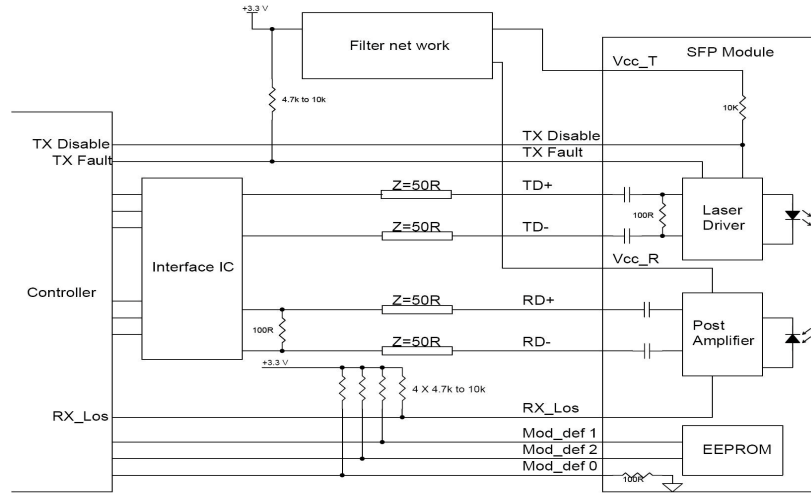
Note 6) TD+/-: These are the differential transmitter inputs. They are AC-coupled, differential lines with 100Ω differential termination inside the module. The AC coupling is done inside the module and is thus not required on the host board.

Diagnostics

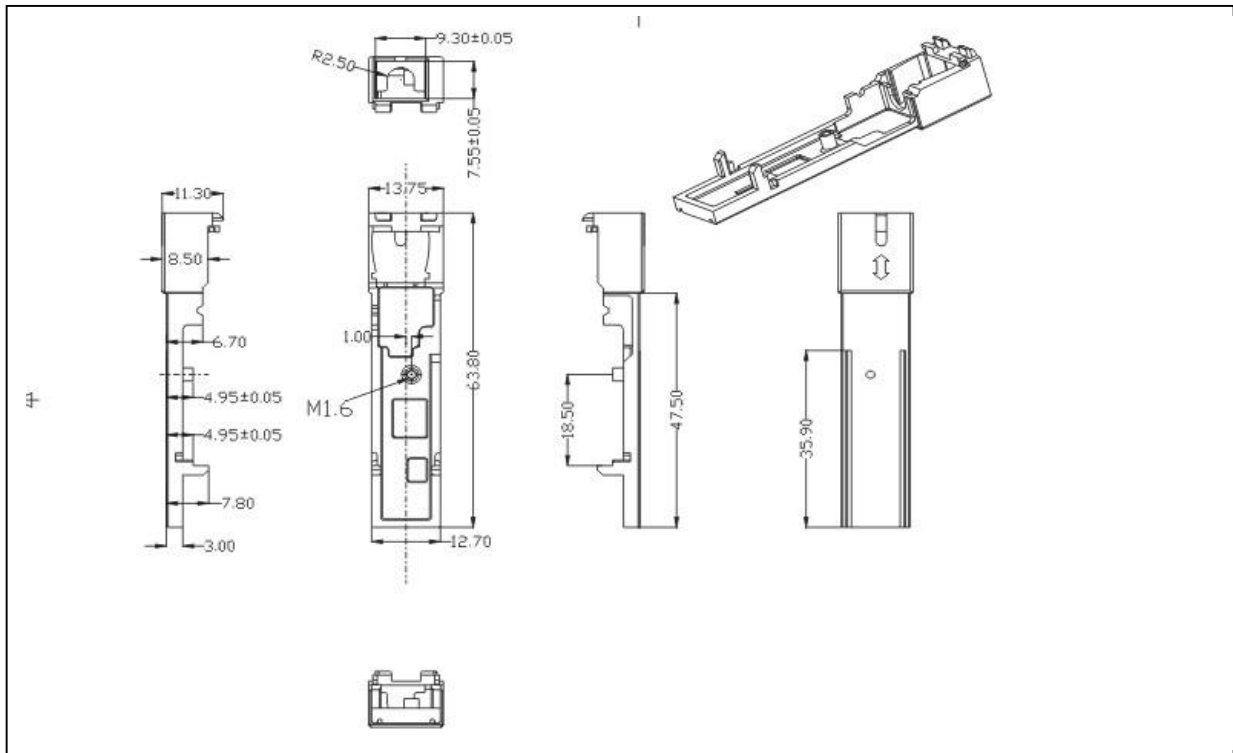
Diagnostics Specification

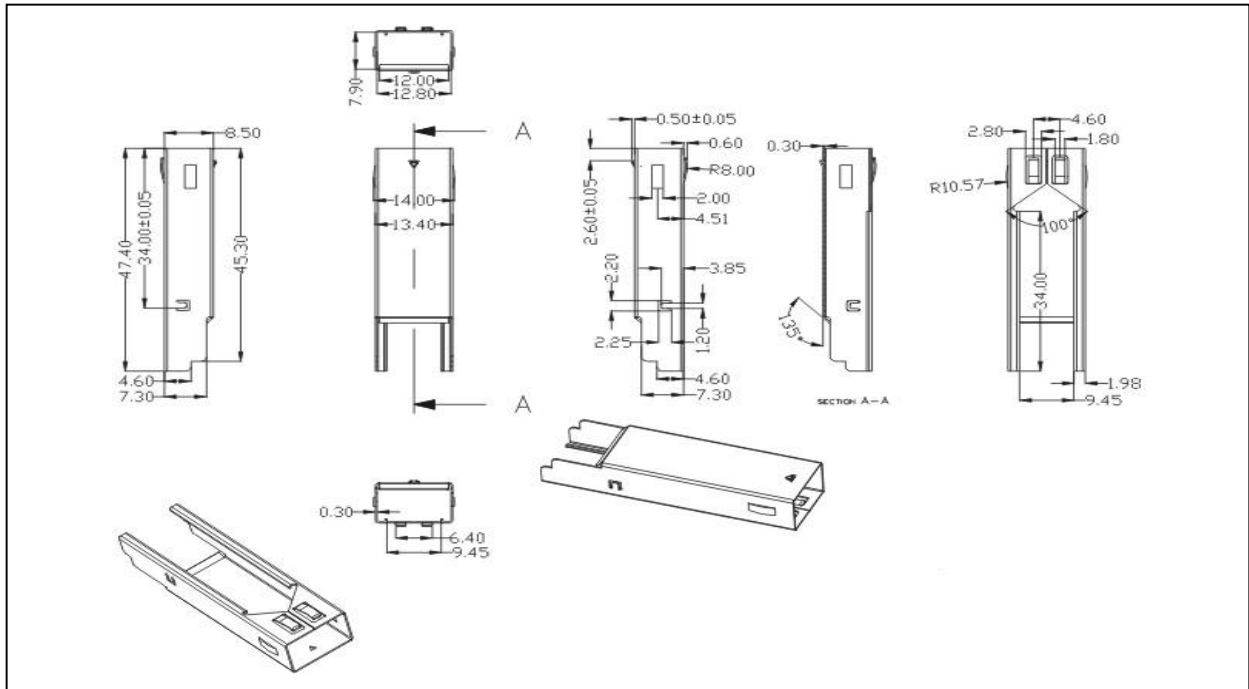
| Parameter | Range | Unit | Accuracy | Calibration |
|--------------|---------------------|------|----------|--------------------|
| Temperature | 0 to +70 -40 to +85 | °C | ±3°C | Internal/ External |
| Voltage | 3.0 to 3.6 | V | ±3% | Internal/ External |
| Bias Current | 2 to 80 | mA | ±10% | Internal/ External |
| TX Power | -11 to -7 | dBm | ±3dB | Internal/ External |
| RX Power | -35 to 0 | dBm | ±3dB | Internal/ External |

TYPICAL INTERFACE CIRCUIT



PACKAGE DIMENSIONS





Ordering Information & Related Products

| | |
|----------------|--------------------------------------------------------|
| OLSB3501S-CD40 | SFP BIDI,SC,Tx1310/Rx1550nm 155Mbps, 40km, with DDM |
| OLSB5301S-CD40 | SFP BIDI,SC,Tx1550/Rx1310nm 155Mbps, 40km, with DDM |
| OLSB3501S-CN40 | SFP BIDI,SC,Tx1310/Rx1550nm 155Mbps, 40km, without DDM |
| OLSB5301S-CN40 | SFP BIDI,SC,Tx1550/Rx1310nm 155Mbps, 40km, without DDM |