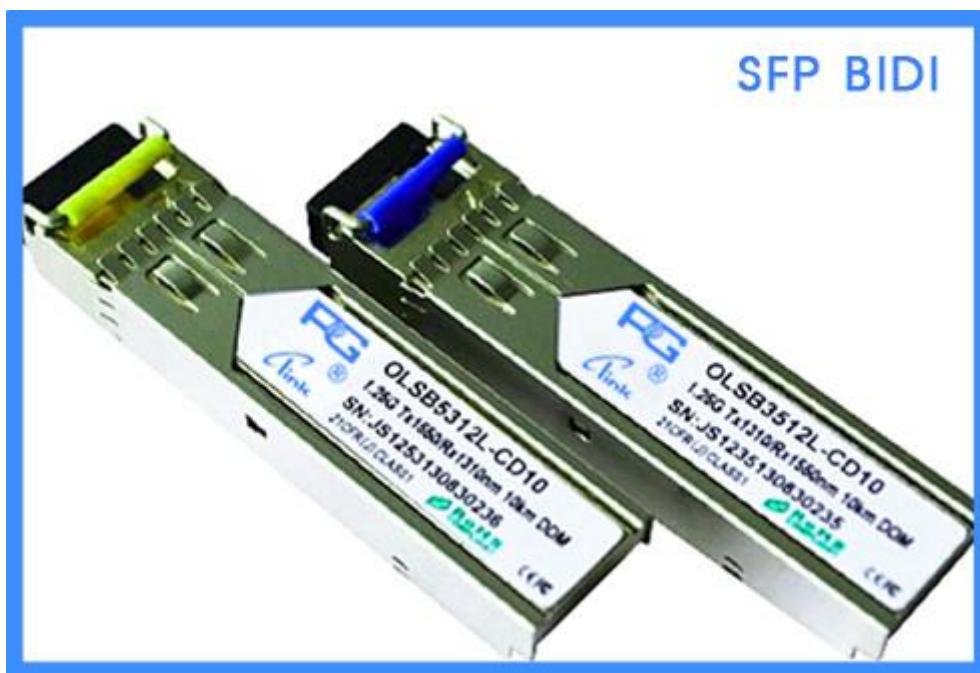


Product Specification Sheet

OLSB35(53)25L-CD20

RoHS Compliant 2.5G 1310/1550nm(1550/1310nm) 20KM Transceiver



PRODUCT FEATURES

- Dual data-rate of 2.5Gbps/2.125Gbps operation
- 1550nm DFB laser and PIN photo detector for 20km transmission
- 1310nm DFB laser and PIN photo detector for 20km transmission
- BIDI LC/UPC type pluggable optical interface
- Compliant with SFP MSA and SFF-8472 with simplex LC receptacle
- RoHS compliant and lead-free
- Single +3.3V power supply
- Support Digital Diagnostic Monitoring interface
- Case operating temperature Commercial: 0°C to +70°C
Extended: -10°C to +80°C
Industrial: -40°C to +85°C

APPLICATIONS

- SDH STM-16 and SONET OC-48 system
- Fiber Channel
- Switch to Switch interface
- Switched backplane applications
- Router/Server interface
- Other Optical Links

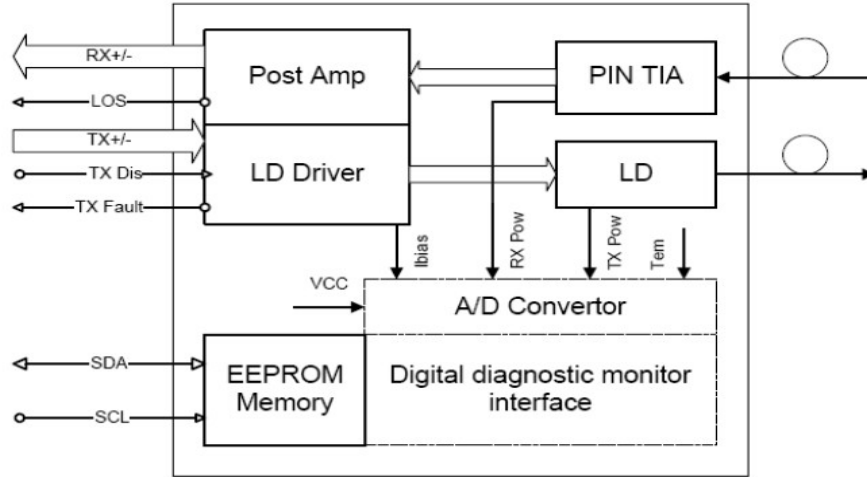
PRODUCT DESCRIPTIONS

The SFP-BIDI transceivers are high performance, cost effective modules supporting dual data-rate of 2.5Gbps/2.125Gbps and 20km transmission distance with SMF.

The transceiver consists of three sections: a DFB laser transmitter, a PIN photodiode integrated with a trans-impedance preamplifier (TIA) and MCU control unit. All modules satisfy class I laser safety requirements.

The transceivers are compatible with SFP Multi-Source Agreement (MSA) and SFF-8472. For further information, please refer to SFP MSA.

FUNCTIONAL DIAGRAM



Ordering information

Product part Number	Data Rate (Mbps)	Media	Wavelength (nm)	Transmission Distance(km)	Temperature Range	
					Tcase	°C
OLSB35 (53) 25L-CD20	2500	Single mode fiber	1310/1550(1550/1310)	20	0~70	commercial
OLSB35 (53) 25L-ED20	2500	Single mode fiber	1310/1550(1550/1310)	20	-10~80	extended
OLSB35 (53) 25L-ID20	2500	Single mode fiber	1310/1550(1550/1310)	20	-45~85	industrial

ABSOLUTE MAXIMUM RATINGS

Parameter	Symbol	Min.	Max.	Unit	Note
Supply Voltage	Vcc	-0.5	4.0	V	
Storage Temperature		-40	85	°C	
Relative Humidity		5	85	%	

Note: Stress in excess of the maximum absolute ratings can cause permanent damage to the module

GENERAL OPERATING CHARACTERISTICS

Parameter	Symbol	Min.	Typ	Max.	Unit	Note
Data Rate			2500		Mb/s	
Supply Voltage	V _{cc}	3.13	3.3	3.47	V	
Supply Current	I _{cc5}			220	mA	
Operating Case Temp.	T _c	0		70	°C	
		-10		80	°C	
		-40		85	°C	

ELECTRICAL INPUT/OUTPUT CHARACTERISTICS

● Transmitter

Parameter	Symbol	Min.	Typ	Max.	Unit	Note
Diff. input voltage swing		120		820	mVpp	1
Tx Disable input	H	V _{IH}	2.0	V _{cc} +0.3	V	
	L	V _{IL}	0	0.8		
Tx Fault output	H	V _{OH}	2.0	V _{cc} +0.3	V	2
	L	V _{OL}	0	0.8		
Input Diff. Impedance	Z _{in}		100		Ω	

● Receiver

Parameter	Symbol	Min.	Typ	Max.	Unit	Note
Diff. output voltage swing		340	650	800	mVpp	3
Rx LOS Output	H	V _{OH}	2.0	V _{cc} +0.3	V	2
	L	V _{OL}	0	0.8		

Note 1) TD+/- are internally AC coupled with 100Ω differential termination inside the module.

Note 2) Tx Fault and Rx LOS are open collector outputs, which should be pulled up with 4.7k to 10kΩ resistors on the host board. Pull up voltage between 2.0V and V_{cc}+0.3V.

Note 3) RD+/- outputs are internally AC coupled, and should be terminated with 100Ω (differential) at the user SERDES

OPTICAL CHARACTERISTICS

- Transmitter

Parameter	Symbol	Min.	Typ	Max.	Unit	Note
Operating Wavelength	λ_C	1270	1310	1360	nm	
		1500	1550	1570		
Ave. output power (Enabled)	P_o	-6		1	dBm	1
Extinction Ratio	ER	8.5			dB	1
RMS spectral width	$\Delta\lambda$			4	nm	
Rise/Fall time (20%~80%)	T_r/T_f			0.26	ps	2
Output Eye Mask	ITU-T G.957 Compliant					

Note (1): Measure at 2²³-1 NRZ PRBS pattern

Note (2): Transmitter eye mask definition

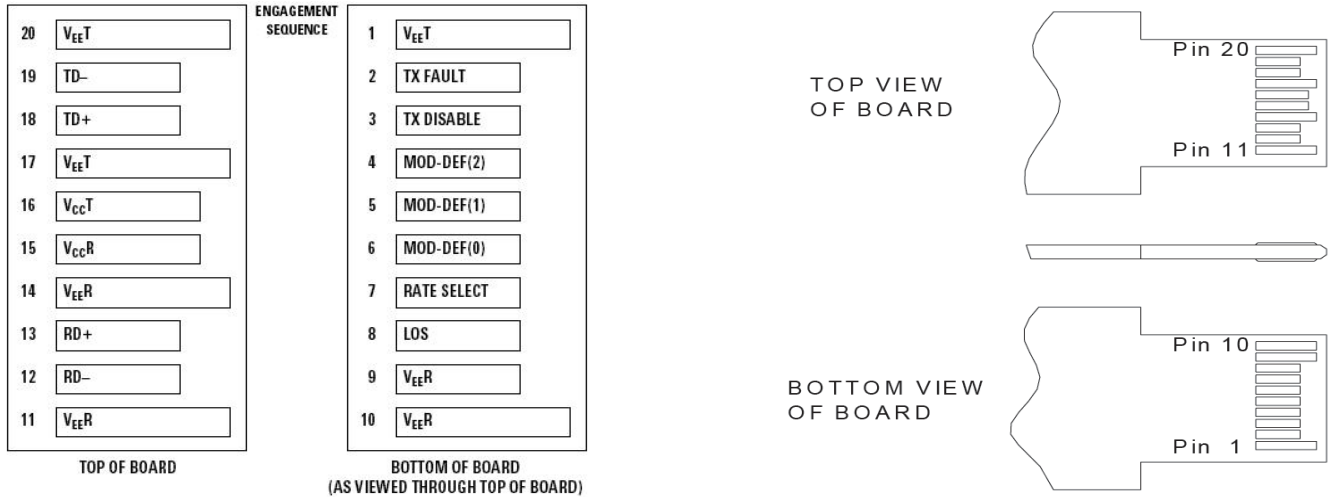
- Receiver

Parameter	Symbol	Min.	Typ	Max.	Unit	Note
Operating Wavelength		1530	1550	1570	nm	
		1270	1310	1360		
Sensitivity	P_{sen}			-18	dBm	1
Min. overload	P_{imax}	-3			dBm	
LOS Assert	P_a	-30			dBm	
LOS De-assert	P_d			-19	dBm	2
LOS Hysteresis	P_d-P_a	0.5		6	dB	

Note (1): Measured with Light source 1550nm(1310nm), ER=8.5dB; BER =<10⁻¹² @PRBS=2²³-1 NRZ.

Note (2): When LOS de-asserted, the RX data+/- output is signal output.

Pin Definitions and Functions



PIN#	Name	Function	Notes
1	V _{EE} T	Tx ground	
2	Tx Fault	Tx fault indication, Open Collector Output, active “H”	1
3	Tx Disable	LVTTL Input, internal pull-up, Tx disabled on “H”	2
4	MOD-DEF2	2 wire serial interface data input/output (SDA)	3
5	MOD-DEF1	2 wire serial interface clock input (SCL)	3
6	MOD-DEF0	Model present indication	3
7	Rate select	No connection	
8	LOS	Rx loss of signal, Open Collector Output, active “H”	4
9	V _{EE} R	Rx ground	
10	V _{EE} R	Rx ground	
11	V _{EE} R	Rx ground	
12	RD-	Inverse received data out	5
13	RD+	Received data out	5
14	V _{EE} R	Rx ground	
15	V _{CC} R	Rx power supply	
16	V _{CC} T	Tx power supply	
17	V _{EE} T	Tx ground	
18	TD+	Transmit data in	6
19	TD-	Inverse transmit data in	6
20	V _{EE} T	Tx ground	

Note 1) When high, this output indicates a laser fault of some kind. Low indicates normal operation. And should be pulled up with a 4.7 – 10KΩ resistor on the host board.

Note 2) TX disable is an input that is used to shut down the transmitter optical output. It is pulled up within the module with a 4.7 – 10KΩ resistor. Its states are:

Low (0 – 0.8V): Transmitter on ($>0.8, < 2.0V$): Undefined
 High (2.0V~Vcc+0.3V): Transmitter Disabled Open: Transmitter Disabled

Note 3) Mod-Def 0,1,2. These are the module definition pins. They should be pulled up with a 4.7K – 10KΩ resistor on the host board. The pull-up voltage shall be VccT or VccR.

Mod-Def 0 has been grounded by the module to indicate that the module is present

Mod-Def 1 is the clock line of two wire serial interface for serial ID

Mod-Def 2 is the data line of two wire serial interface for serial ID

Note 4) When high, this output indicates loss of signal (LOS). Low indicates normal operation.

Note 5) RD+/-: These are the differential receiver outputs. They are AC coupled 100Ω differential lines which should be terminated with 100Ω (differential) at the user SERDES. The AC coupling is done inside the module and is thus not required on the host board.

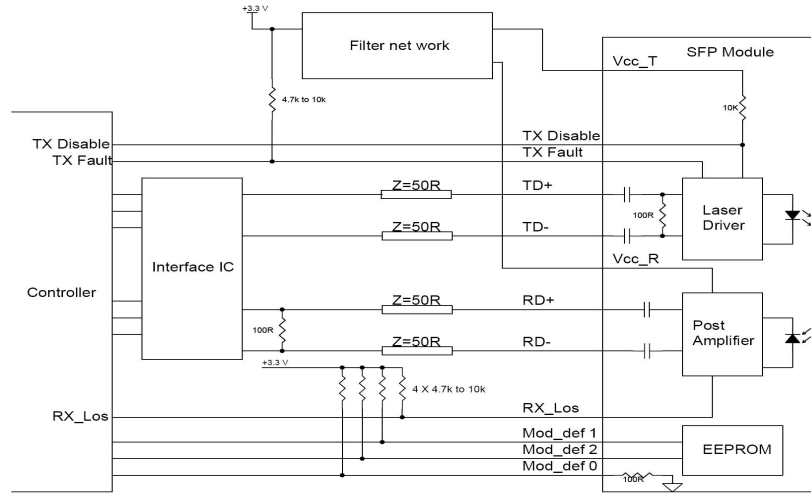
Note 6) TD+/-: These are the differential transmitter inputs. They are AC-coupled, differential lines with 100Ω differential termination inside the module. The AC coupling is done inside the module and is thus not required on the host board.

Diagnostics

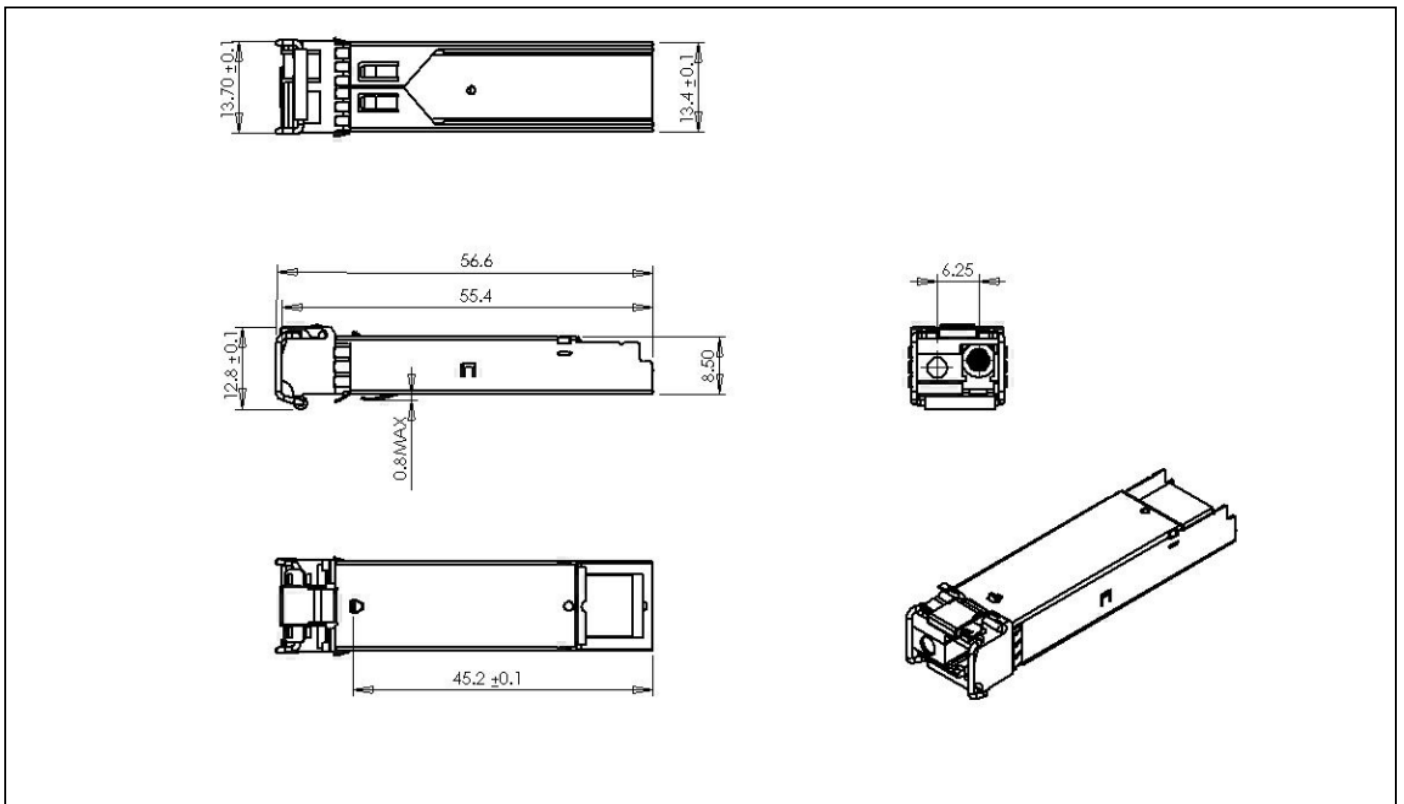
Diagnostics Specification

Parameter	Range	Unit	Accuracy	Calibration
Temperature	0 to +70 -40 to +85	°C	±3°C	Internal/ External
Voltage	3.0 to 3.6	V	±3%	Internal/ External
Bias Current	2 to 80	mA	±10%	Internal/ External
TX Power	-8 to 3	dBm	±3dB	Internal/ External
RX Power	-21 to 0	dBm	±3dB	Internal/ External

TYPICAL INTERFACE CIRCUIT



PACKAGE DIMENSIONS



Ordering Information & Related Products

OLSB3525L-CD20	SFP BIDI,LC,Tx1310/Rx1550nm 2.5Gbps, 20km, with DDM
OLSB5325L-CD20	SFP BIDI,LC,Tx1550/Rx1310nm 2.5Gbps, 20km, with DDM
OLSB3525L-CN20	SFP BIDI,LC,Tx1310/Rx1550nm 2.5Gbps, 20km, without DDM
OLSB5325L-CN20	SFP BIDI,LC,Tx1550/Rx1310nm 2.5Gbps, 20km, without DDM