

Product Specification Sheet

OLSP5525L-CD80

RoHS Compliant 2.5Gbps 1550nm 80km Reach SFP Optical Transceiver



Product Features

- Multi-rate operation, optimized at 2.5Gb/s
- 1550nm DFB laser and APD photo detector for 80km transmission
- Compliant with SFP MSA and SFF-8472 with duplex LC receptacle
- Digital Diagnostic Monitor Interface
- Very low EMI and excellent ESD protection
- +3.3V single power supply
- RoHS compliant
- Case operating temperature Commercial: 0°C to +70°C

Applications

- SDH STM-16 and SONET OC-48 system
- 2X Fiber Channel
- Switch to Switch interface
- Switched backplane applications
- Router/Server interface
- Other optical transmission systems

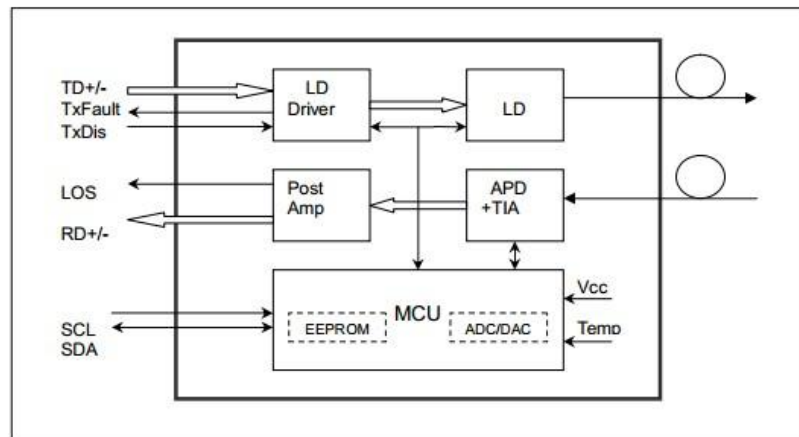
Description

The SFP transceivers are high performance, cost effective modules supporting dual data-rate of 2.5Gbps and 80km transmission distance with SMF.

The transceiver consists of three sections: a DFB laser transmitter, a APD photodiode integrated with a trans-impedance preamplifier (TIA) and MCU control unit. All modules satisfy class I laser safety requirements.

The transceivers are compatible with SFP Multi-Source Agreement (MSA) and SFF-8472. For further information, please refer to SFP MSA.

Functional Diagram



Absolute Maximum Ratings

Parameter	Symbol	Min.	Max	Unit	Notes
Supply Voltage	Vcc	-0.5	3.60	V	
Storage Temperature		-40	85	°C	
Relative Humidity		5	85	%	

Note: Stress in excess of the maximum absolute ratings can cause permanent damage to the module.

General Operating Characteristics

Parameter	Symbol	Min.	Typ.	Max.	Unit	Notes
Data Rate			2.5		Gb/s	
Supply Voltage	Vcc	3.1	3.3	3.5	V	
Supply Current	Icc			260	mA	
Operating Case Temperature	Tc	0		70	°C	

Electrical Input/Output Characteristics

● Transmitter

Parameter	Symbol	Min.	Typ.	Max.	Unit	Notes
Diff. Input Voltage Swing		300		1800	mVpp	1
Tx Disable Input	H	V_{IH}	2.0	$V_{CC}+0.3$	V	
	L	V_{IL}	0	0.8		
Tx Fault Output	H	V_{OH}	2.0	$V_{CC}+0.3$	V	2
	L	V_{OL}	0	0.5		
Input Diff. Impedance	Z_{in}		100		Ω	

● Receiver

Parameter	Symbol	Min.	Typ.	Max.	Unit	Notes
Diff. Output Voltage Swing		400		1000	mVpp	1
Rx LOS Output	H	V_{OH}	2.0	$V_{CC}+0.3$	V	2
	L	V_{OL}	0	0.8		

Note 1) AC-Coupled CML logic family.

Note 2) Tx Fault and Rx LOS are open collector outputs, which should be pulled up with 4.7k to 10k Ω ohm resistors on the host board. Pull up voltage between 2.0V and $V_{CC}+0.3V$.

Optical Characteristics

● Transmitter

Parameter	Symbol	Min.	Type	Max.	Unit	Notes
Ave. Output Power (Enable)	P_o	-1		6	dBm	1
Side mode Suppression Ratio	SMSR	30			dB	
Extinction Ratio	ER	8.5			dB	1
Wavelength Range	λ_c		1550		nm	
Spectral Width (RMS)	$\Delta\lambda$			1	nm	
Output Optical Eye	ITU-T G.957 Compliant					

• Receiver

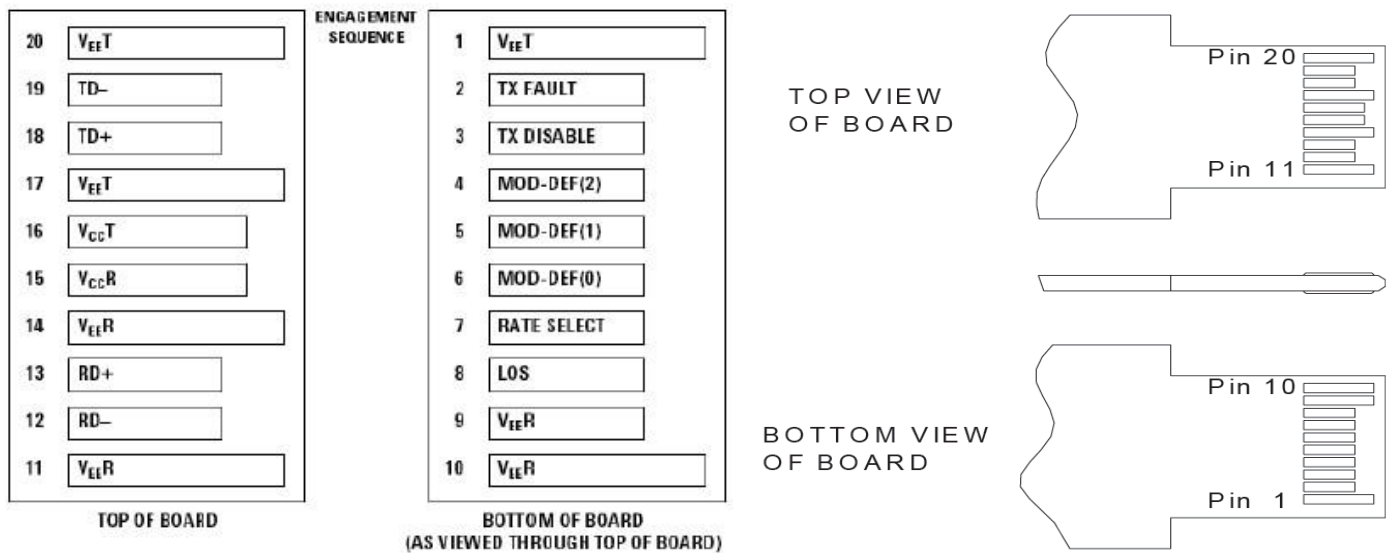
Parameter	Symbol	Min.	Type	Max.	Unit	Notes
Operating Wavelength		1270		1610	nm	
Sensitivity	Pimin			-22	dBm	3
Min. Overload	Pimax	-9			dBm	3
LOS Assert	Pa	-35			dBm	
LOS De-assert	Pd			-23	dBm	
LOS Hysteresis	Pd-Pa	0.5		6	dB	

Note 1) Measured at 2488 Mb/s with PRBS $2^{23} - 1$ NRZ test pattern.

Note 2) Meet the specified maximum output jitter requirements if the specified maximum input jitter is present.

Note 3) Measured at 2488 Mb/s with PRBS $2^{23} - 1$ NRZ test pattern for BER < 1×10^{-10}

Pin Definitions and Functions



which should be terminated with 100Ω (differential) at the user SERDES. The AC coupling is done inside the module and is thus not required on the host board.

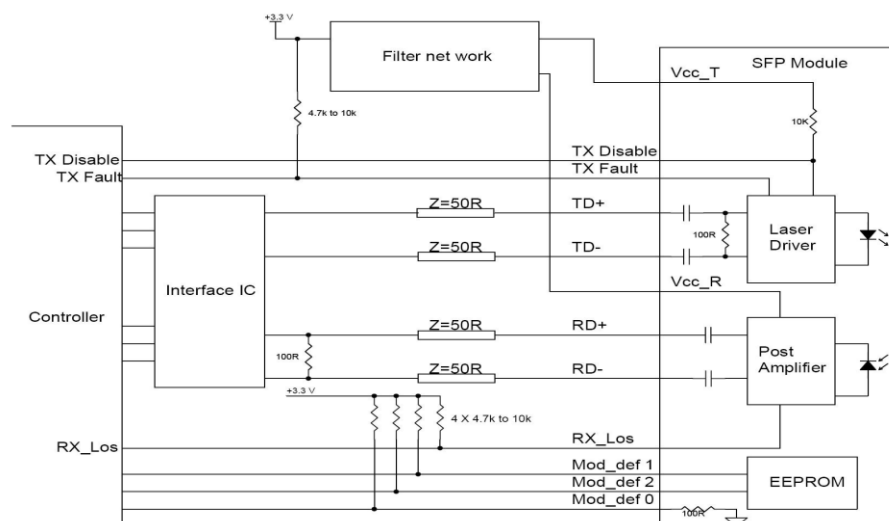
Note 6) TD+/-: These are the differential transmitter inputs. They are AC-coupled, differential lines with 100Ω differential termination inside the module. The AC coupling is done inside the module and is thus not required on the host board.

Diagnostics

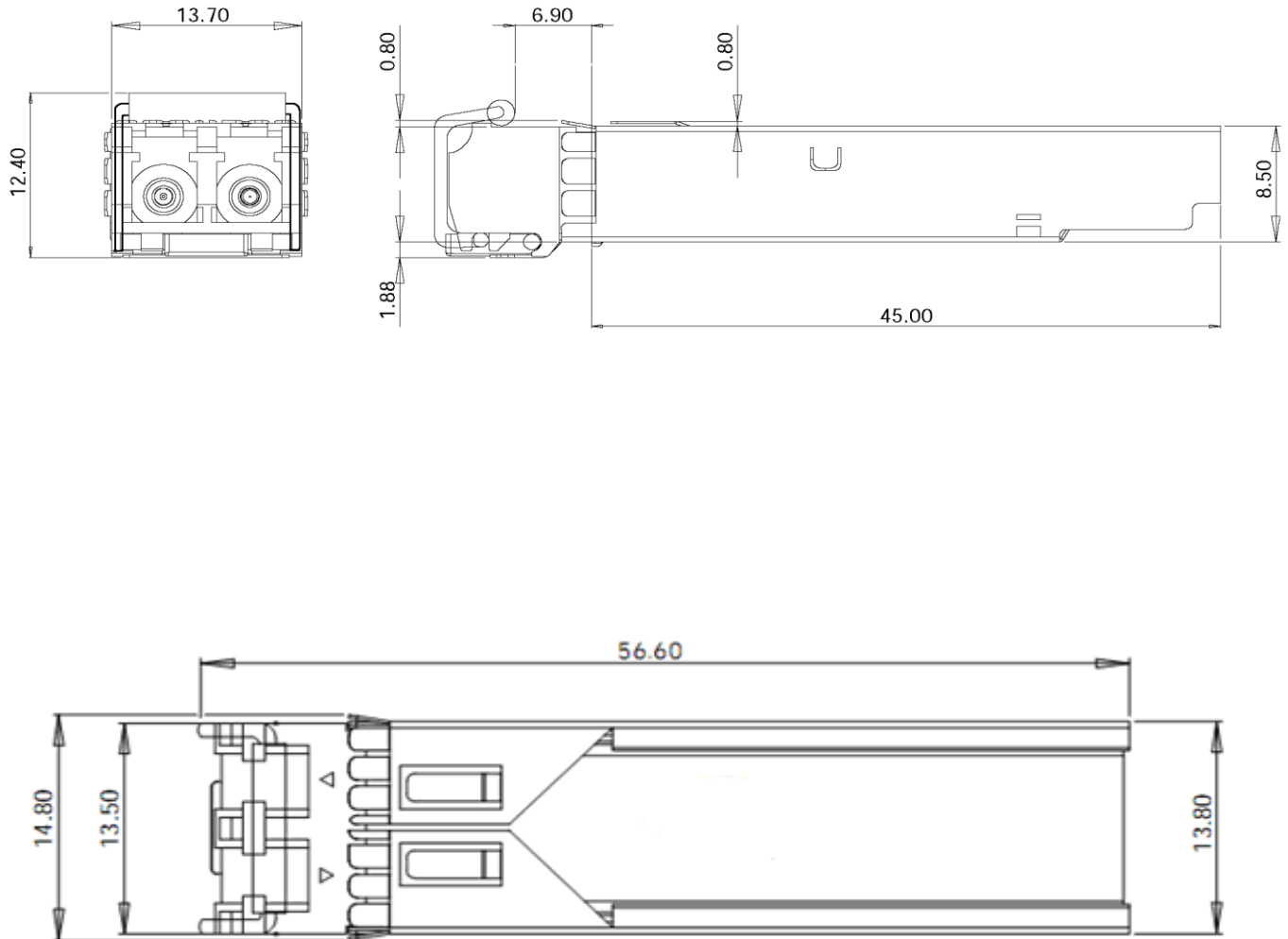
Diagnostics Specification

Parameter	Range	Unit	Accuracy	Calibration
Temperature	0 to +70 -40 to +85	°C	±3°C	Internal/ External
Voltage	3.0 to 3.6	V	±3%	Internal/ External
Bias Current	2 to 15	mA	±10%	Internal/ External
TX Power	8 to 3	dBm	±3dB	Internal/ External
RX Power	-25 to 0	dBm	±3dB	Internal/ External

Typical Interface Circuit



Package Dimensions



Ordering Information & Related Products

OLSP5525L-CD80	Dual Fiber SFP, 2.5Gbps, 1550nm, 80km, with DDM
----------------	---