

FHR2422GK

GPON ONT/HGU



Introduction

GPON ONT/HGU is designed for FTTH and networking service providers. FHR2422GK is developed by PGLINK optoelectronics based on the Gigabit GPON technology, has a high cost performance, it supports 2 layer,3 layer or more layer VoIP. It is high stability and easy to maintain, has multi-service QoS quality guarantee. And It is fully compliant with technical regulations such as IEEE802.3ah and technical requirement of EPON Equipment (V2.1 and above version) from China Telecom, China Unicom.

Characteristics

- ★ Main service: 4GE+2VOIP+WIFI+CATV
- ★ Plug and play, integrate auto detection, auto configuration and auto firmware upgrading
- ★ Integrate OMCI and TR-069 remote configuration and maintenance



- ★ Support flexible QinQ VLAN,DHCP server/relay and IGMP/MLD multicast monitoring function

- ★ Support diagnostic monitoring and remote disabling of fiber optical
- ★ Compatible with Huawei,ZTE and Fiberhome OLT
- ★ Support NAT and firewall function
- ★ POTS integrated circuit test complies GR-909

- ★ WAN support networking bridge, router and bridge/router mixed mode

Specification

Technical items	Descriptions
Fiber port	1 GPON interface, SC single-mode/single-fiber, Downstream rate 2.5Gbps, Upstream rate 1.25Gbps
Wavelength	Tx 1310nm, Rx 1490nm
Fiber interface	SC/PC
RX sensitivity	<-28dBm (1490nm)
LAN	4*10/100/1000Mbps adaptive ethernet ports, full/half duplex, RJ45 interface
POTS	2*FXS, RJ11 connector
WLAN	IEEE802.11b/g/n, 300Mbps, a built-in antenna
DC power	12V 1A, external AC-DC power adapter
Power	≤10W
Operation	Working temperature: -5~+55°C working humidity:10~90%(non-condensation)
Storage	Storage temperature: -30°C~+60°C storage humidity: 10~90%(non-condensation)
Dimension	130*107*31mm(length*width*highth)
Net weight	≤0.2Kg
Technical items	Descriptions
Fiber port	1 GPON interface, SC single-mode/single-fiber, Downstream rate 2.5Gbps, Upstream rate 1.25Gbps
Wavelength	Tx 1310nm, Rx 1490nm
Fiber interface	SC/PC
RX sensitivity	<-28dBm (1490nm)



LAN	4*10/100/1000Mbps adaptive ethernet ports, full/half duplex, RJ45 interface
POTS	2*FXS, RJ11 connector
WLAN	IEEE802.11b/g/n, 300Mbps, a built-in antenna
DC power	12V 1A, external AC-DC power adapter
Power	≤10W
Operation	Working temperature: -5~+55°C working humidity:10~90%(non-condensation)
Storage	Storage temperature: -30°C~+60°C storage humidity: 10~90%(non-condensation)
Dimension	130*107*31mm(length*width*highth)
Net weight	≤0.2Kg

CATV Technical Parameters

Descriptions		Descriptions
Optical Receive	dBm	-15 ~ +2
AGC range	dBm	-8~+2
Fiber return loss	dB	>50
wave length	nm	1100 ~ 1600
Connection		SC/APC
C/N	dB	≥ 50
C/CTB	dB	≥ 62
C/CSO	dB	≥ 61
BW	MHz	40~ 1000
Output level	dBμV	≥ 82



Data Service Functions

- ★ Full speed 1G non-blocking switching
- ★ 2048 MAC address table
- ★ 16 VLAN
- ★ Support VLAN QinQ, transparent, tag, translation, trunk, etc.
- ★ Integrated port monitoring, port mirroring, port rate limiting, port SLA, etc
- ★ Support auto polarity detection of Ethernet ports (AUTO MDIX)
- ★ Integrated IEEE802.1p QoS with four level priority queues
- ★ Support IPv4 IGMP snooping and IPv6 MLD snooping
- ★ Support bridging, router and bridging/router mixed mode

POTS service function

- ★ support SIP voice protocol
- ★ support H.248 voice protocol
- ★ SIP protocol: ISP provide the port number of the main SIP proxy server and terminal VOIP
- ★ Value range is 1-65535, system default value is 5060
- ★ H.248 protocol: ISP provide port number of the spare MGC server and VOIP terminal
- ★ Value range is 1~65535, system default value is 2944
- ★ Port ringing current voltage: 50±10VAC, 30±10H
- ★ Port type POTS(VOIP)

★ Support G.711 A-Law/u-Law,G729A/B,G.723.1-5.3/6.3,G.726.etc.voice coding/compressed technology

★ Support auto switch in main interface and standby interface by the software

Wi-Fi service

★ Support Integrated 802.11b/g/n, 300Mbps, 2T2R.

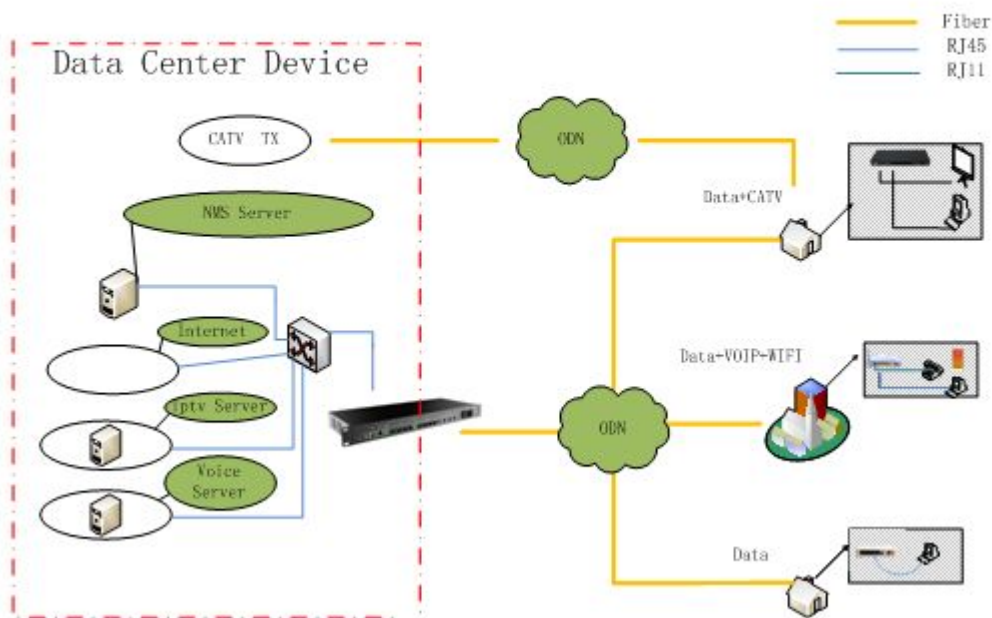
★ Support 64 connections

★ Support WEP and WPA/WPA2 security protocols

Application chart

XPON Application Topological Map

—Shenzhen FH-Net Optoelectronics Co.,Ltd



Ordering Information

Model	Description
FHR2422GK	4GE+2VOIP+WIFI+CATV