


10/100M Unmanaged Industrial PoE Switch

PG-GYFP102B

Introduction	Image
<p>This unmanaged Ethernet PoE switch is specialized for harsh industrial environment. It is classified as power resource equipment, which can be used to power IEEE 802.3af/at compliant powered devices, eliminates the need of additional wiring.</p> <p>With simple operation, excellent quality and competitive price, it provides an economical solution for your industrial Ethernet network, which is also specially designed for the needs of multiplex broadband access with limited optical fibers.</p>	 <p>CE FC RoHS</p>

Features & Benefits

- ❖ 2 *IEEE 802.3af/at PoE compliance 10/100Base-T(X) ports and 1* 100Base-FX port
- ❖ Up to 30W at 48V DC power output on each PoE port
- ❖ Super lightning protection, IP40 protection
- ❖ Excellent heat elimination without cooling fan
- ❖ Redundant dual DC power inputs
- ❖ -40°C -85°C operating temperature range

Switch Properties

- ❖ MAC Table Size: 2K
- ❖ Packet Buffer Size: 6KX64bits
- ❖ Processing Type: Store and Forward
- ❖ Exchange Properties: 148800pps (100M)

Physical Characteristics

- ❖ Housing: Aluminum Alloy material with IP40 Protection
- ❖ Dimension: 138mm(L) X 112mm(W) X 60mm(H)
- ❖ Weight: 640g
- ❖ Installation: Din-Rail mounting, Wall mounting

Interfaces

- ❖ 2* RJ45 Ports
 - Comply with IEEE802.3, IEEE802.3u, 10/100Base-T(X), IEEE802.3af/at PoE,
 - 10/100Base-T(X) auto negotiation speed
 - Auto MDI-MDI-X connection
 - Up to 100M Cat-5 transmission distance
- ❖ 1* Fiber Port
 - Comply with IEEE802.3u, 100Base-FX
 - Rate: 100Mbps
 - Full/Half duplex mode
 - Wavelength: 1310nm/1550nm
 - Up to 2Km transmission distance with multi-mode
 - Up to 20km,40km,60km,80km transmission distance with single-mode
 - SC/ST/FC interfaces optional

Power

- ❖ Input Voltage: 48V DC(44-57VDC), Redundant dual inputs
- ❖ Input Current: <0.5A @48VDC
- ❖ Overload Current Protection: Present
- ❖ Reverse Polarity Protection: Present
- ❖ Redundant Protection: Present
- ❖ Connection: 1 removable 6-pin terminal blocks

Environmental Limits

- ❖ Operating Temperature: -40°C -85°C
- ❖ Storage Temperature: -40°C -85°C
- ❖ Ambient Relative Humidity: 5%-95% (non-condensing)

Standard

- ❖ Safety: UL 60950-1
- ❖ EMS:
 - EN61000-4-2 (ESD), Level 3
 - EN61000-4-3 (RS), Level 3
 - EN61000-4-4 (EFT), Level 3
 - EN61000-4-5 (Surge), Level 3
 - EN61000-4-6 (CS), Level 3
 - EN61000-4-8, Level 3

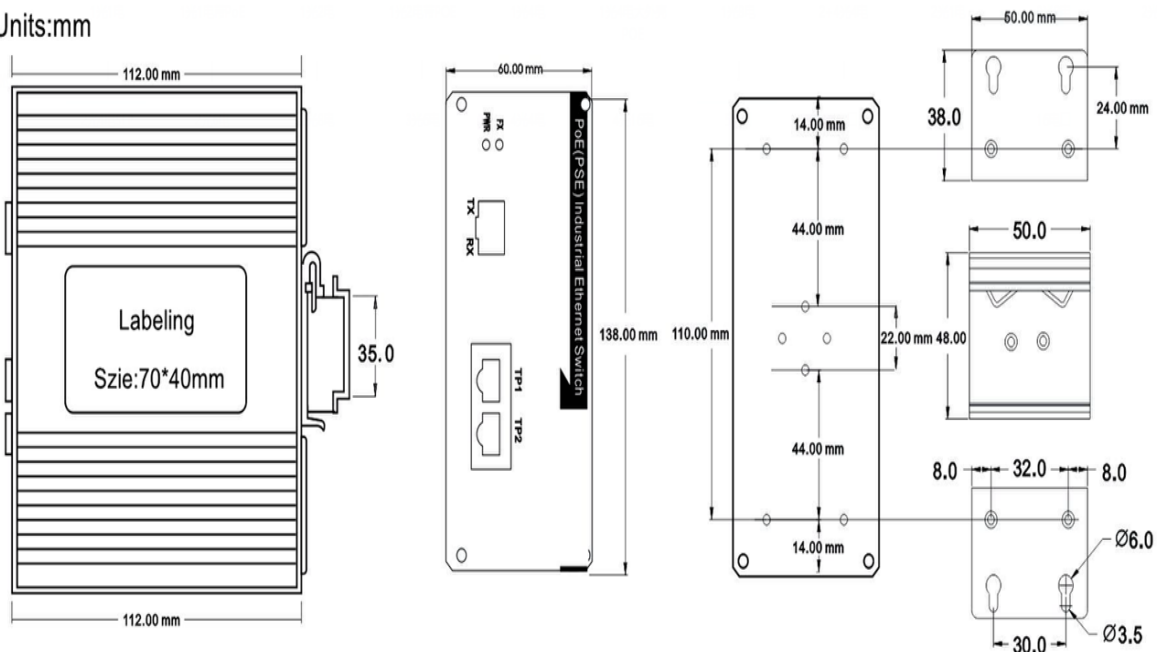
❖ Shock: IEC 60068-2-27
❖ Free Fall: IEC 60068-2-32
❖ Vibration: IEC 60068-2-6
❖ EMI: FCC Part 15 Subpart B Class A, EN 55022 Class A
❖ Industry: IEC61000-6-2
❖ Rail: EN50155, EN50121-4
❖ Traffic: NEMA TS-2

Warranty

5 years

Dimension

Units:mm



Models Available

Model No	Description
Dual Fiber(Duplex)	
PG-GYFP102B-MD	Multi-mode; 2Km; SC/ST/FC interfaces optional
PG-GYFP102B-SD	Single-mode; 20Km; SC/ST/FC interfaces optional
PG-GYFP102B-SD40	Single-mode; 40Km; SC/ST/FC interfaces optional

PG-GYFP102B-SD60	Single-mode; 60Km; SC/ST/FC interfaces optional
PG-GYFP102B-SD80	Single-mode; 80Km; SC/ST/FC interfaces optional
Single Fiber(Simplex)	
PG-GYFP102B-MS	Multi-mode; 2Km; SC/ST/FC interfaces optional
PG-GYFP102B-SS	Single-mode; 20Km; SC/ST/FC interfaces optional
PG-GYFP102B-SS40	Single-mode; 40Km; SC/ST/FC interfaces optional
PG-GYFP102B-SS60	Single-mode; 60Km; SC/ST/FC interfaces optional
PG-GYFP102B-SS80	Single-mode; 80Km; SC/ST/FC interfaces optional